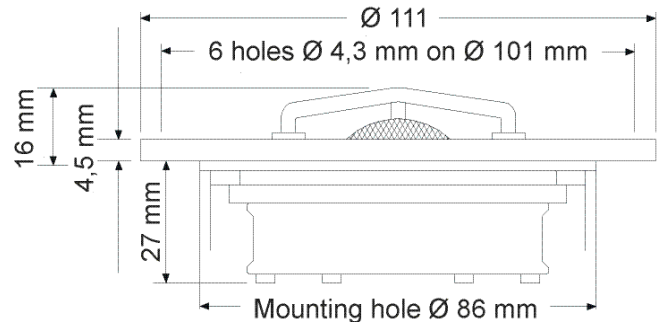


# Tweeter Esotar<sup>2</sup> 110

The Esotar<sup>2</sup> 110 is a reference grade tweeter, delivering a level of performance previously unavailable in car audio, that features a very smooth frequency response extending beyond 30 kHz. Based on the renowned home audio variant of the Dynaudio Esotar<sup>2</sup> tweeter and optimized for the acoustics of an automobile, the dispersion of the 110 is nothing short of exceptional, even at 60 degrees off-axis. This dispersion enables the tweeter to perform incredibly well in a car, where the listener most often will be seated off-axis from the tweeter.

The optimized dome geometry and the low mass of the moving parts ensure an extremely transparent and perfectly detailed reproduction of the high frequencies.

- Coated textile dome eliminates any high frequency break-ups
- Extremely powerful neodymium magnet system with vented pole piece
- Open, airy, incredibly clean and detailed high frequency reproduction
- Excellent dynamic and transient response
- Integrated damped cavity chamber in the pole piece
- Vented pole piece integrated into back plate
- Ferrofluid adds additional damping while increasing power handling
- Aluminium voice coil wire results in a low moving mass
- Shallow mounting depth



Thiele Small Parameters		
Nominal impedance	Znom	6 Ω
DC resistance	Re	5,2 Ω
Voice coil inductance	Le	- mH
Resonance frequency	fs	1000 Hz
Mechanical Q factor	Qms	-
Electrical Q factor	Qes	-
Total Q factor	Qts	-
Mechanical resistance	Rms	- kg/s
Moving mass (incl. air load)	Mms	- g
Suspension compliance	Cms	- mm/N
Effective dome diameter	d	3,1 mm
Effective piston area	Sd	7.7 cm <sup>2</sup>
Equivalent volume	Vas	- l
Force factor	Bl	- Tm
Recommended frequency range	2000-30000 Hz	

Magnet and Voice Coil Properties		
Voice coil diameter	dc	28 mm
Voice coil height	hc	2.8 mm
Voice coil layers	nc	2
Magnetic gap height	hg	3 mm
Linear excursion, peak to peak		- mm
Max. excursion, peak to peak		- mm
Magnet weight Neodymium	wm	0,10 kg

Power Handling	
Nominal long term IEC*	150 W
Transient (10 ms)	1000 W

Mechanical Properties	
Net weight	0.50 kg
Overall dimension	Ø111x41 mm

All specifications subject to change without notice

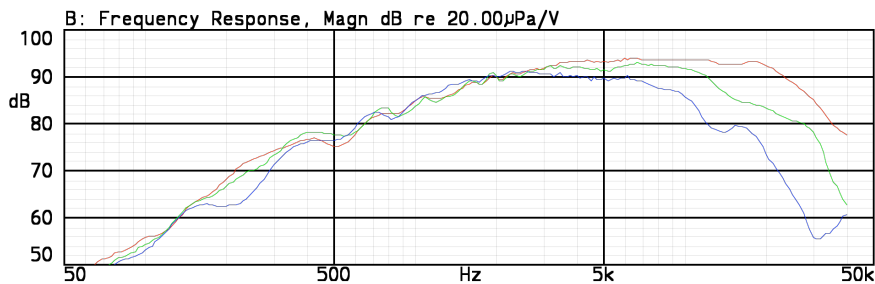
Dynaudio A/S, 8660 Skanderborg, Denmark

Sales & Marketing

Dynaudio International GmbH, Ohepark 2, 21224 Rosengarten, Germany, Phone +49 4108 - 4180 - 0

# Tweeter Esotar<sup>2</sup> 110

## Frequency response • on-axis, 30° and 60° off-axis



Red line: on-axis response  
Green line: 30° horizontal  
Blue line: 60° horizontal

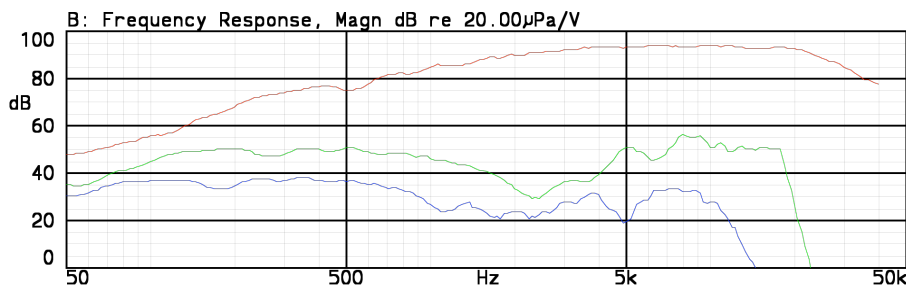
### Measurement conditions

Level: 2.83 V  
Distance: 1 m

Measured in a large baffle



## Frequency response • 2nd and 3rd harmonic distortion



Red line: on-axis response  
Green line: 2nd harmonic  
Blue line: 3rd harmonic

### Measurement conditions

Level: 2.83 V  
Distance: 1 m

Measured in a large baffle



## Impedance • with and without impedance correction circuit



Red line: impedance, free air  
Green line: impedance, free air with compensation. See drawing below.

### Measurement conditions

Level: 3.16 V, 50 ohm  
Driver in free air

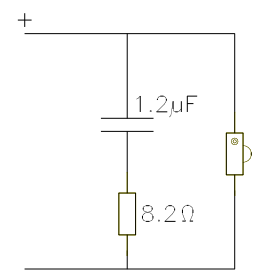


The high sensitivity of the tweeter enables it to reproduce high frequencies in a perfectly natural manner, without any stress or listener fatigue. A well damped resonance frequency and the cooling properties of the ferrofluid utilized in the magnetic gap provide high power handling even when the tweeter is mated to simple crossovers.

The impedance curve is extremely linear, making it an easy load for any amplifier.

The driver can be mounted in a wide range of locations, e.g. the dashboard, doors, kick panels, or rear deck.

### Impedance correction circuit



Dynaudio A/S, 8660 Skanderborg, Denmark

Sales & Marketing

Dynaudio International GmbH, Ohepark 2, 21224 Rosengarten, Germany, Phone +49 4108 - 4180 - 0